



More choice, better choice and more assurance!



铝合金门窗 产品选型手册

Aluminium Door&Window Catalogue

Large-scale production

The annual output of **BVI** Group in aluminum products including glass curtain wall, aluminum doors & windows has reached 1.3 million square meters. The annual production output scale of aluminum extrusion is of 500 thousand tons.

BVI is an international brand, a leader in technology innovation of global decorative building materials industry which is devoted to industry chain integration of building Home Furnishing industry field. **YEKALON** promote the integration of operation of building materials Home Furnishing products, providing products and services with no-worried, mind-peaceful, at ease and the high performance for customers around the world.



| | |
|--------------------------------------|-------|
| Aluminium Systematic Door&Window (一) | 1-12 |
| Aluminium Systematic Door&Window (二) | 13-20 |
| GLASS PERFORMANCE DATA | 59-62 |
| WOODEN CRATE PACKAGE | 63 |
| Aluminium Door&Window Projects | 64-86 |

Future Development

BVI Group is devoted to creating a global top brands of Home Furnishing integration and to become a world-class leading enterprises with One-Stop solution for engineering of building materials Home Furnishing integration project. We provide consulting, project planning, project budget, product development, product selection recommendation, project installation services, project acceptance integrated solutions.

Location Advantages

The headquarter **BVI** Group is located in Shen Zhen, China, which is the industry center of South China. And it's adjacent to Hong Kong. Much convenient transportation with airplane, high-speed train, ports.

| | |
|--------------------|-------|
| SLIDING DOOR | 21-23 |
| SLIDING WINDOW | 24-31 |
| CASEMENT DOOR | 32-33 |
| CASEMENT WINDOW | 34-39 |
| DOUBLE-HUNG WINDOW | 40 |
| AWNING WINDOW | 41-42 |
| BI-FOLDING DOOR | 45-46 |
| SHUTTER WINDOW | 47-50 |
| LOUVER | 51-58 |

铝合金系统门窗(一)

Australian Systematic Aluminium Door&Window



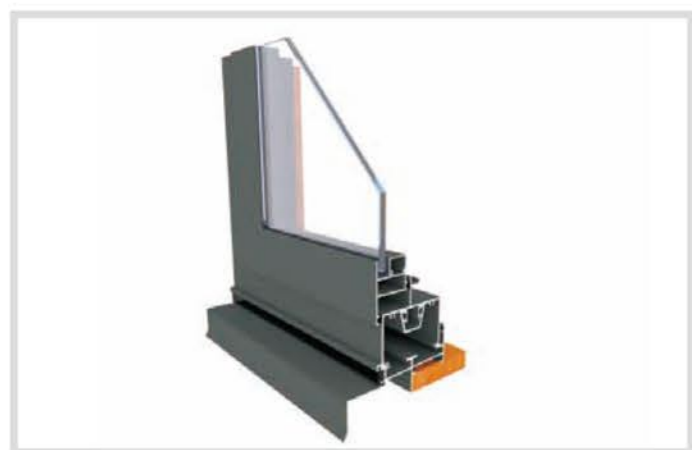
76mm Fixed window 76系列固定窗



76mm sliding door&window 76系列推拉门窗



76mm Awning window 76系列手摇悬窗



76mm sliding door with flyscreen 76系列推拉门窗带纱窗



带不锈钢纱窗
STAINLESS STEEL FLYSCREEN

带金刚纱窗
STRENGTHEN MESH FLYSCREEN

70mm bi-folding door 70系列折叠门



100mm sliding door 100系列推拉门窗



100mm casement door 100系列平开门



100mm fixed window 100系列固定窗



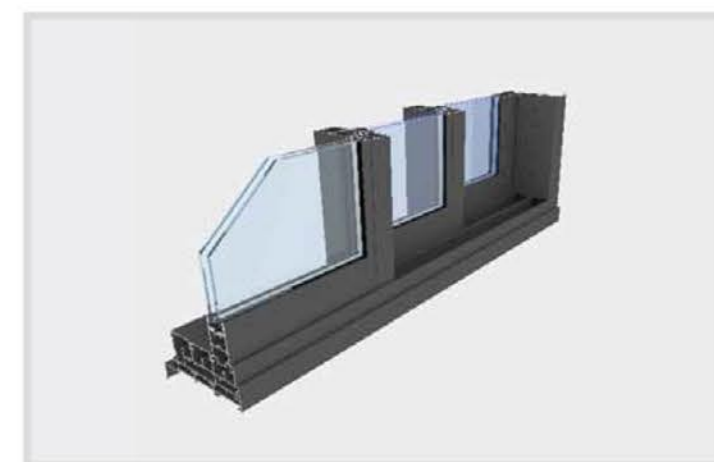
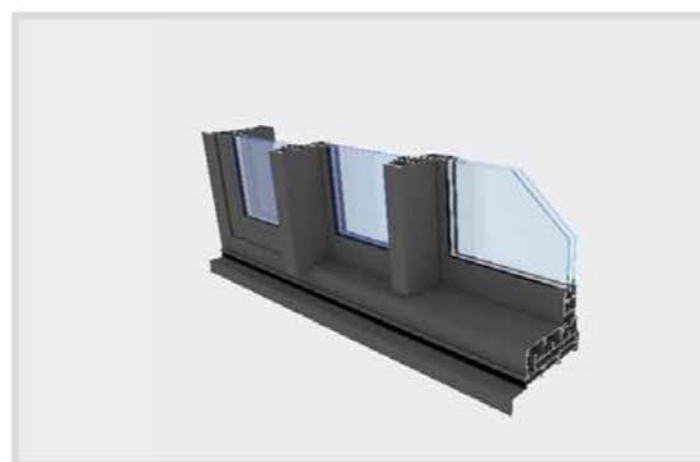
100mm awning window

100系列手摇悬窗



150mm sliding door

150系列推拉门窗



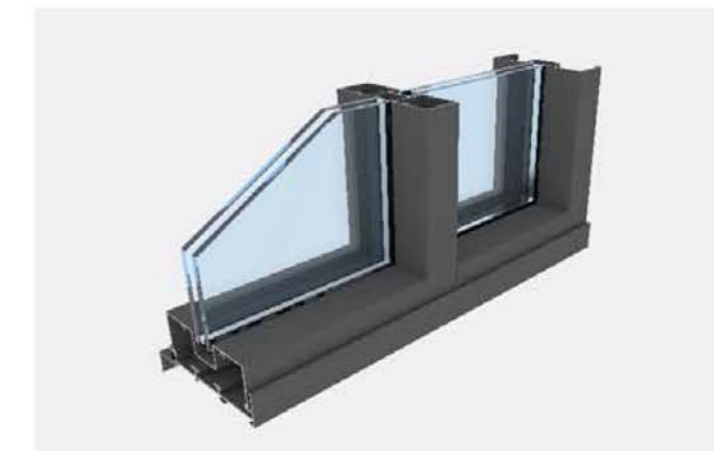
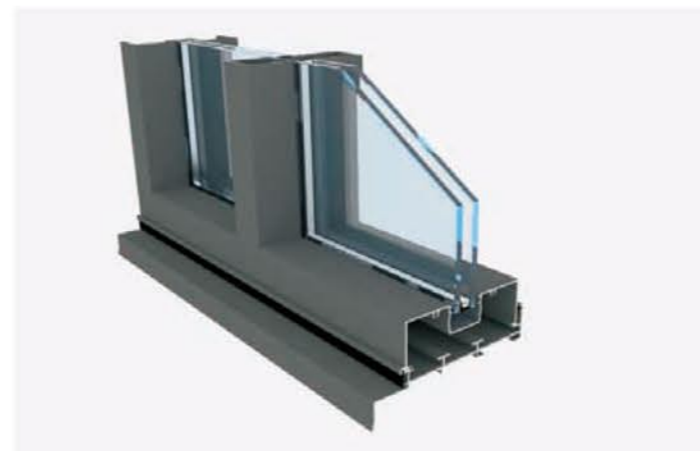
150mm awning window

150手摇悬窗



150mm fixed

150系列固定



澳洲铝窗标准化选型表

Aluminum Door&Window Selection Menu

| Application | Window Type | Item code | Frame width | Installation Method | Glass | Hardware | Surface Finish | Flyscreen |
|-------------------------|---------------|-----------|-------------------|---------------------|------------------------|------------------|------------------|-----------|
| residential application | Awning& Fixed | A.R.1 | 76mm | with timber reveal | 6.38mm/10.38mm | Doric/Kinglong | Black/White/Grey | Y |
| | | A.R.2 | 76mm | sub-head&sub-sill | 6.38mm/10.38mm | Doric/Kinglong | Black/White/Grey | Y |
| | | A.R.3 | 76mm | building in tie | 6.38mm/10.38mm | Doric/Kinglong | Black/White/Grey | Y |
| | | A.R.4 | 100mm | with timber reveal | 6.38mm/10.38mm | Doric/Kinglong | Black/White/Grey | Y |
| | Sliding | S.R.1 | 76mm | with timber reveal | 10.38mm/5+6A+5 | Doric/Kinglong | Black/White/Grey | Y |
| | | S.R.2 | 76mm | sub-head&sub-sill | 10.38mm/5+6A+5 | Doric/Kinglong | Black/White/Grey | Y |
| | | S.R.3 | 76mm | building in tie | 10.38mm/5+6A+5 | Doric/Kinglong | Black/White/Grey | Y |
| | | S.R.4 | 100mm | with timber reveal | 10.38mm/5+6A+5/5+12A+5 | Doric/Kinglong | Black/White/Grey | Y |
| | | S.R.5 | 100mm | sub-head&sub-sill | 10.38mm/5+6A+5/5+12A+5 | Doric/Kinglong | Black/White/Grey | Y |
| | Casement door | C.1 | 100mm | with timber reveal | 10.38mm/5+6A+5/5+12A+5 | Doric/Kinglong | Black/White/Grey | N |
| C.2 | | 100mm | sub-head&sub-sill | 5+6A+5/5+12A+5 | Doric/Kinglong | Black/White/Grey | N | |
| Bi-fold door | B.1 | 70mm | with sub-sill | 10.38mm/5+6A+5 | Doric/Kinglong | Black/White/Grey | N | |
| commercial application | Awning& Fixed | A.C.1 | 100mm | sub-head&sub-sill | 5+6A+5/5+12A+5 | Doric/Kinglong | Black/White/Grey | Y |
| | | A.C.2 | 150mm | sub-head&sub-sill | 5+6A+5/5+12A+5 | Doric/Kinglong | Black/White/Grey | Y |
| | Sliding | S.C.1 | 100mm | sub-head&sub-sill | 5+6A+5/5+12A+5 | Doric/Kinglong | Black/White/Grey | Y |
| | | S.C.2 | 150mm | sub-head&sub-sill | 5+6A+5/5+12A+5 | Doric/Kinglong | Black/White/Grey | Y |





产品配置

单铝型材
型材厚度:2.0MM
表面处理:喷涂黑色,白色,灰色
玻璃:5+6A+5钢化清玻
配件:D型把手

Product Specification

Single Aluminum
Profile Thickness: 2.0mm
Glass: 5+6A+5 Tempered Clear Glass
Sub-sill and sub-head contribute to easier installation.
Complete compliance Australia Certificaton-AS2047

产品代码
ITEM NO.
150ALSD



铝合金系统门窗(二)
Systematic Aluminium Door&Window





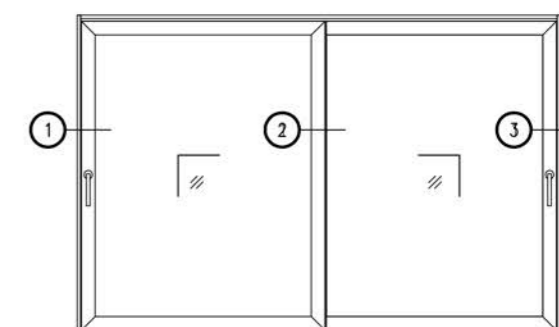
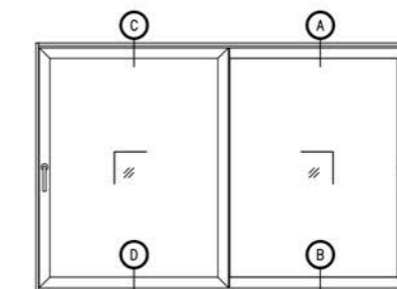
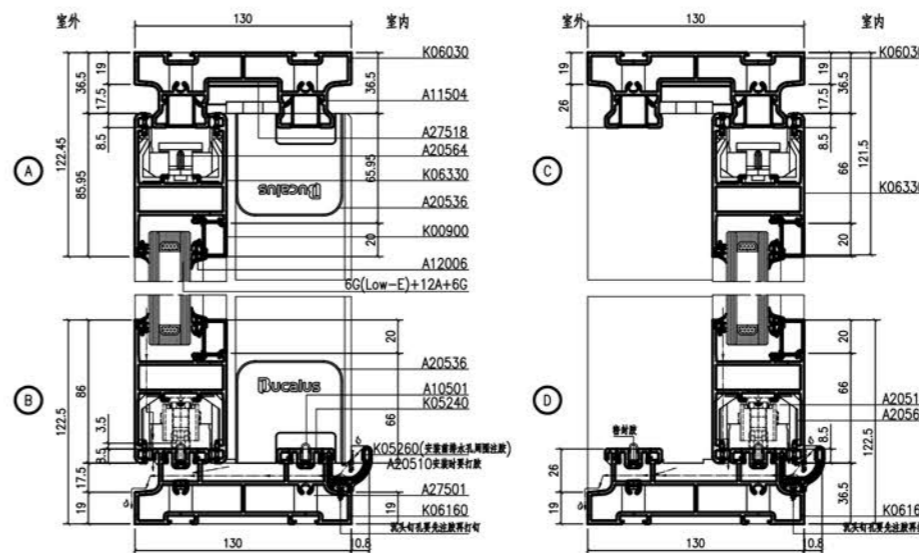
产品代码
ITEM NO.
NS55

产品配置

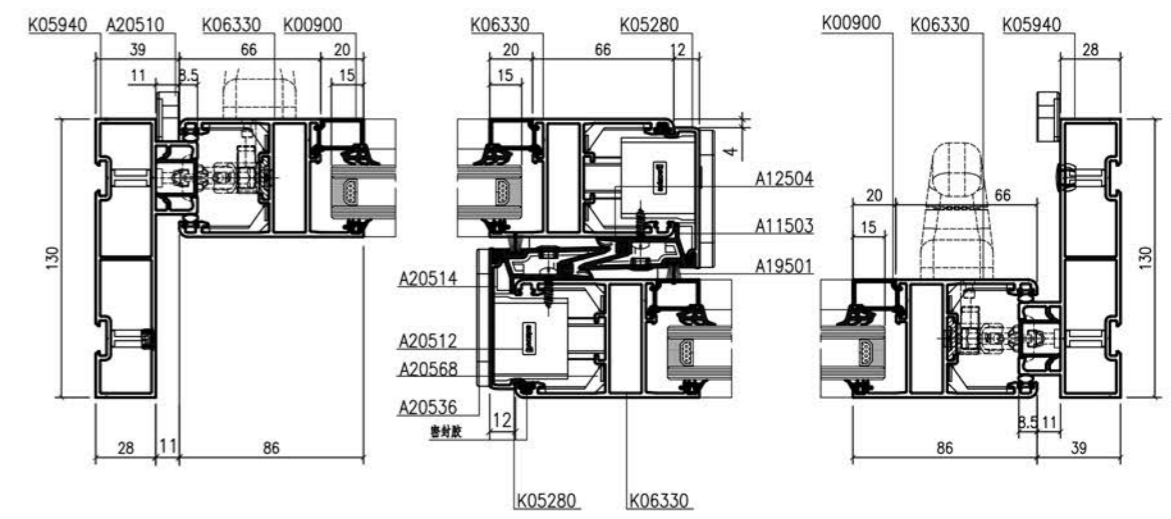
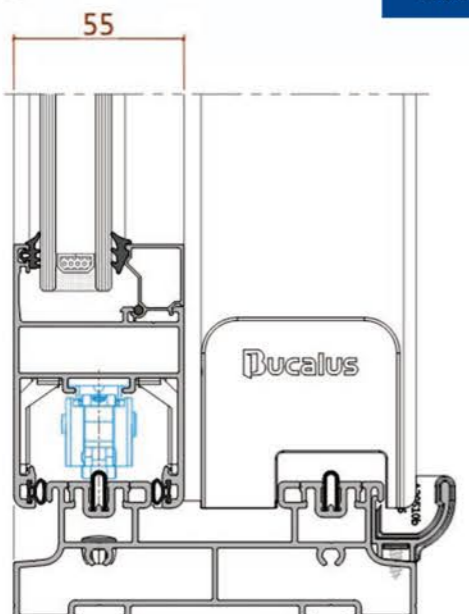
型材厚度: 2.0MM
表面处理: 氟碳喷涂
玻璃: 6+9A+6 钢化清玻

Specifications

Alu thickness: 2.0MM
Surface Finsh: Fluorine carbon spraying
Glass: 6+9A+6 IGU tempered clear
Hardware: Germany Brand



1. 本产品采用的贝克洛高性能系统门窗。
2. 本产品门型材主受力壁厚为2.0mm、窗型材主受力壁为1.5mm。
3. 本产品表面处理为氟碳三涂。
4. 本产品五金采用贝克洛专用原装进口五金。



① ② ③



Nd55 平开门
ND55 CASEMENT DOOR

ND55 CASEMENT DOOR ND55 平开门



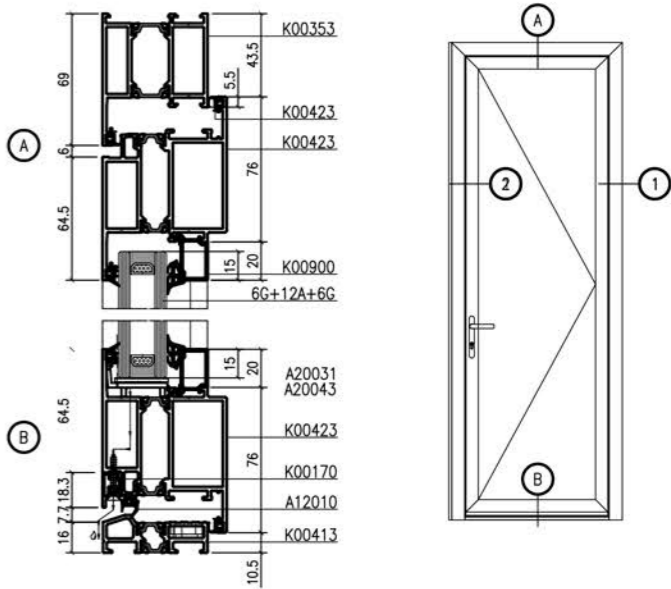
产品代码
ITEM NO.
ND55

产品配置

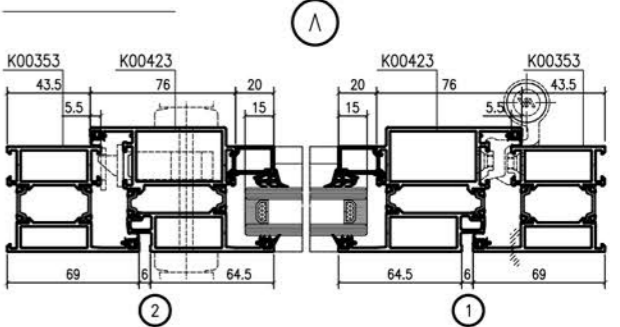
型材厚度: 2.0MM
表面处理: 氟碳喷涂
玻璃: 6+9A+6 钢化清玻

Specifications

Alu thickness: 2.0MM
Surface Finsh: Fluorine carbon spraying
Glass: 6+9A+6 IGU tempered clear
Hardware: Germany Brand



- 1.本产品采用的贝克洛高性能系统门窗。
- 2.本产品门型材主受力壁厚为2.0mm、窗型材主受力壁为1.5mm。
- 3.本产品表面处理为氟碳三涂。
- 4.本产品五金采用贝克洛专用原装进口五金。
- 5.本产品隔热条采用德国原装进口隔热条。





产品代码
ITEM NO.
NW55

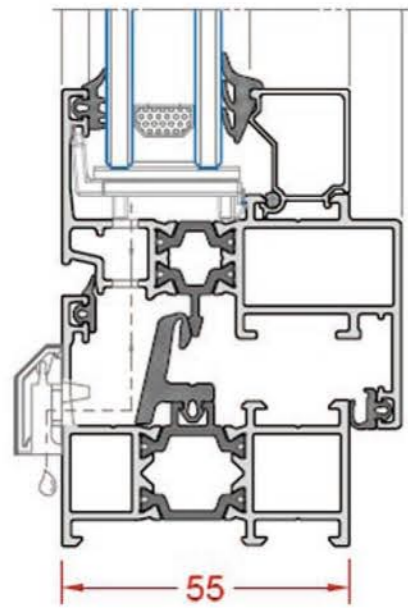
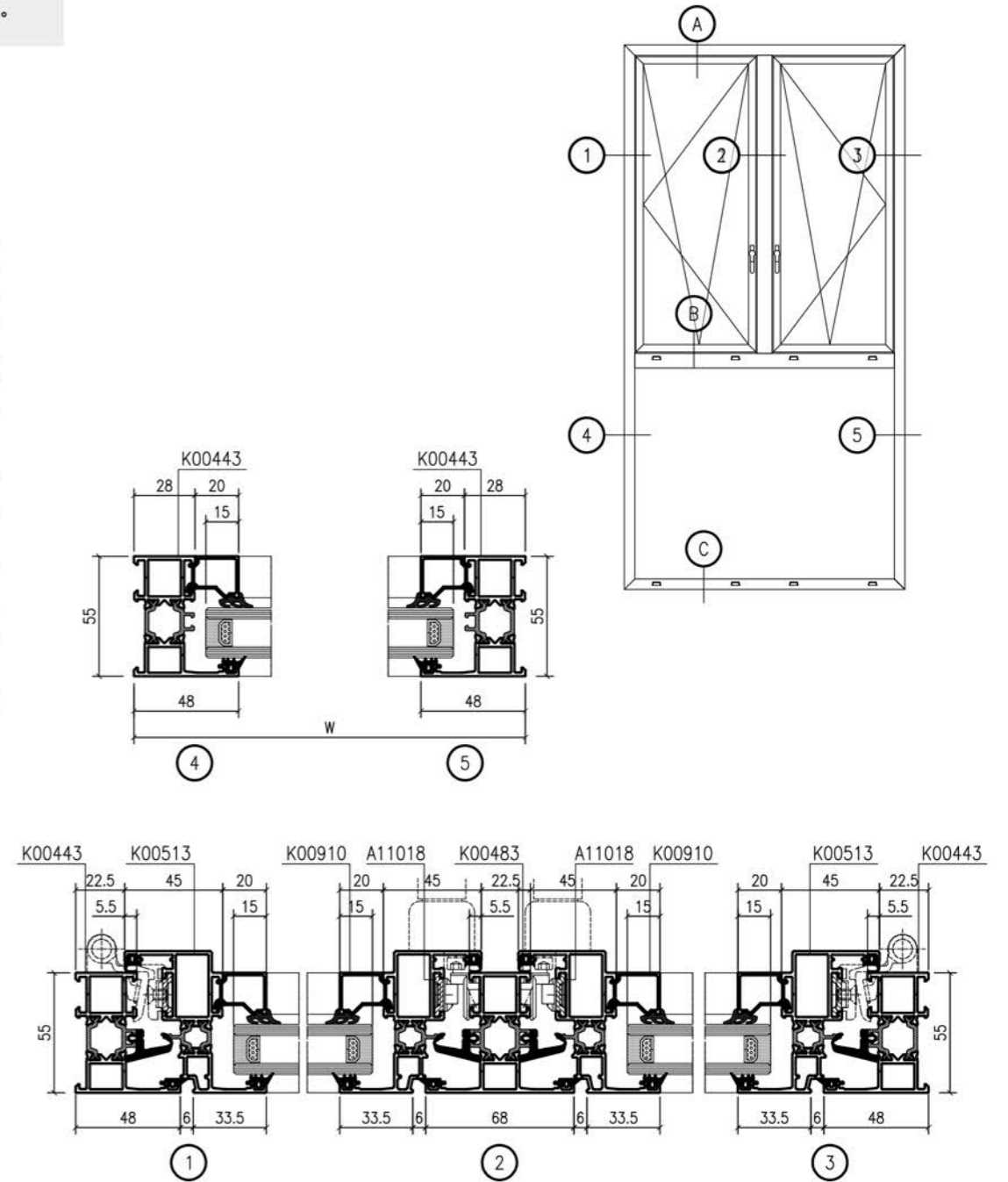
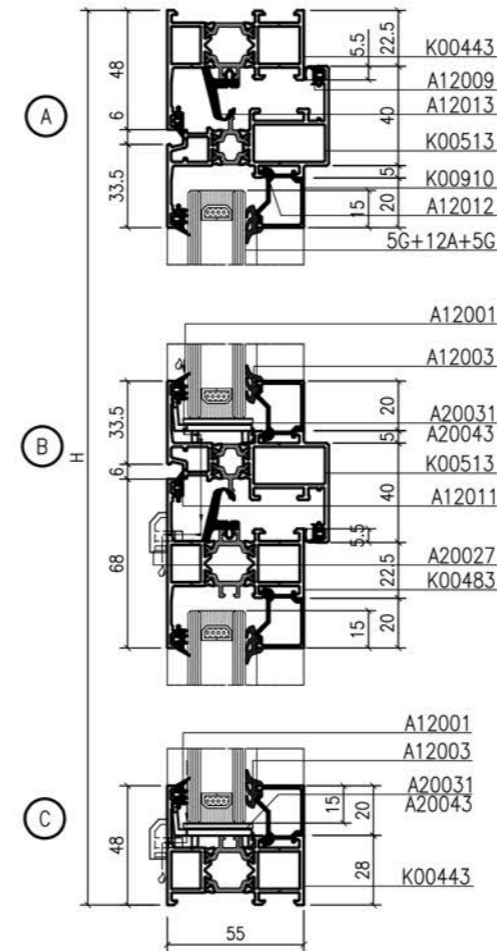
产品配置

型材厚度: 2.0MM
表面处理: 氟碳喷涂
玻璃: 6+9A+6 钢化清玻

Specifications

Alu thickness: 2.0MM
Surface Finsh: Fluorine carbon spraying
Glass: 6+9A+6 IGU tempered clear
Hardware: Germany Brand

1. 本产品采用的贝克洛高性能系统门窗。
2. 本产品门型材主受力壁厚为2.0mm、窗型材主受力壁为1.5mm。
3. 本产品表面处理为氟碳三涂。
4. 本产品五金采用贝克洛专用原装进口五金。
5. 本产品隔热条采用德国原装进口隔热条。



90mm SLIDING DOOR

90系列推拉门



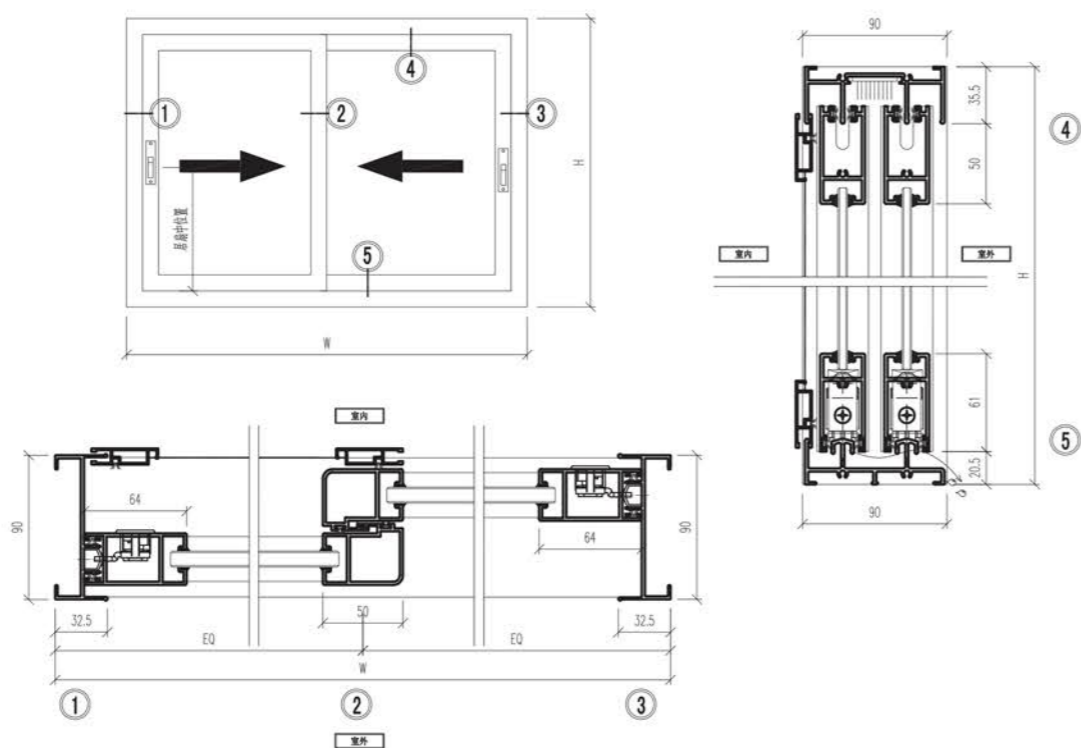
产品代码
ITEM NO.
90ALSD

产品配置

单铝型材
型材厚度:1.4MM
表面处理:喷涂黑色,白色,灰色
玻璃:6mm钢化清玻
配件:平面勾锁,单滑轮

Product Specification

Single Aluminum
Profile Thickness: 1.4mm
Color: Powder Coat, Black, White, Grey
Window Width: 1150-1800mm
Window Height: 1250-2100mm
Glass: 6mm Tempered Clear Glass
Hardware: hook lock, single pulley
Nylon or stainless steel fly screen



140系列提升推拉门 140mm LIFT-SLIDING DOOR





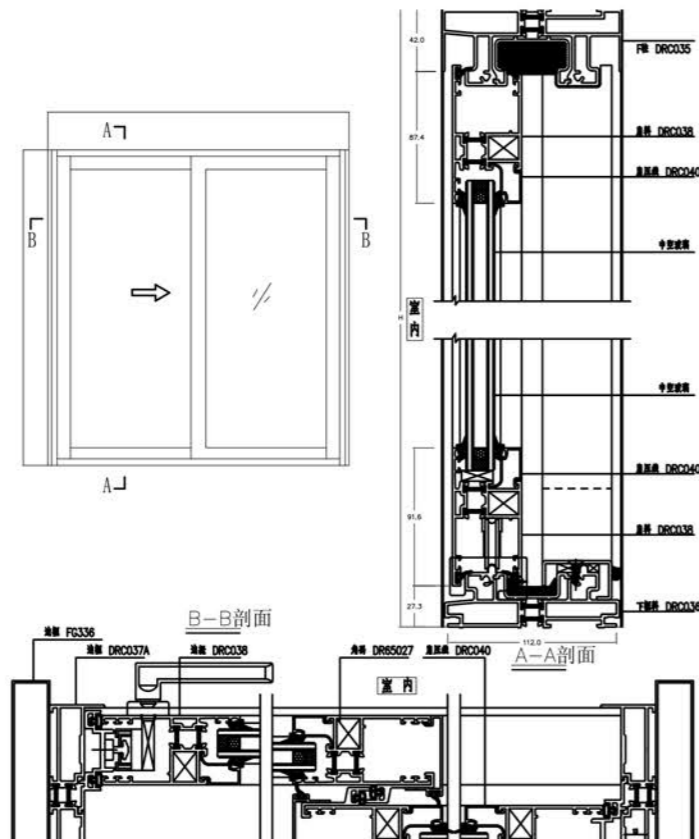
产品代码
ITEM NO.
148ALSD

产品配置

断桥型材
型材厚度:2.0MM
表面处理:灰色粉末喷涂
玻璃:6+16A+6 钢化清玻
配件:德国丝吉利娅配件

Specification

Alu thickness:2.0MM
Surface Finsh:Grey Powder Coat
Glass:6+16A+6 IGU tempered clear
Hardware: Germany SIEGENIA



产品代码
ITEM NO.
72ALSW

产品配置

单铝型材
型材厚度:1.0MM
表面处理:灰色喷涂
玻璃:5mm钢化玻璃
配件:平面勾锁 带防蚊纱窗

Specification

Single aluminum
Grey powder coating
Aluminum profile thickness: 1.0mm
5mm tempered clear glass
With hook lock
With fly screen



产品代码
ITEM NO.
75ALSW

产品配置

单铝型材
型材厚度:1.2MM
表面处理:氧化银色
玻璃:6mm钢化清玻

Product Specification

Single aluminum
Clear Anodized
Aluminum profile thickness: 1.2mm
6mm tempered clear glass
With fly screen



产品代码
ITEM NO.
76ALSW

产品配置

单铝型材
型材厚度:1.4MM
表面处理:黑色喷涂
玻璃:6mm 钢化清玻
配件:带防蚊纱窗

Specification

Single aluminum
Black powder coating
Aluminum profile thickness: 1.4mm
6mm tempered clear glass
With fly screen



产品代码
ITEM NO.
83ALSW

产品配置

单铝型材
型材厚度:1.0MM
表面处理:白色或灰色喷涂
玻璃:5mm非钢化玻璃
配件:月牙锁
带防蚊纱窗

Specification

Single aluminum
White or grey powder coating
Aluminum profile thickness: 1.0mm
5mm non-tempered glass
CRESCENT LOCK
With fly screen



产品代码
ITEM NO.
85ALSW

产品配置

单铝型材
型材厚度:1.2MM
表面处理:白色喷涂
玻璃:5mm 钢化清玻
配件:月牙锁

Specification

Single aluminum
White powder coating
Aluminum profile thickness: 1.2mm
5mm tempered glass
CRESCENT LOCK



产品配置

单铝型材
型材厚度:1.4MM
表面处理:喷涂黑色,白色,灰色
整体窗宽度:1150-1800mm
整体窗高度:1250-2100mm
玻璃:6mm钢化清玻
配件:平面勾锁,单滑轮
辅料:高档毛条,胶条
带纱窗-尼龙和不锈钢推拉纱网

Product Specification

Single Aluminum
Profile Thickness: 1.4mm
Color: Powder Coat,Black,White,Grey
Window width: 1150-1800mm
Window Height: 1250-2100mm
Glass: 6mm Temper Clear Glass
Hardware: hook lock, single pulley
Nylon or stainless steel fly screen

产品代码
ITEM NO.
88ALSD



产品代码
ITEM NO.
92ALSW

产品配置

单铝型材
型材厚度:1.5MM
表面处理:白色喷涂
玻璃:6mm 钢化清玻

Specification

Single aluminum
Clear Anodized
Aluminum profile thickness: 1.5mm
6mm tempered clear glass

100mm sliding window

100系列推拉窗



产品代码
ITEM NO.
100ALSD

产品配置

单铝型材
型材厚度:0.8MM
表面处理:白色喷涂
玻璃:5mm钢化清玻
配件:平面勾锁,单滑轮
带纱窗

Specification

Single aluminum
White powder coating
Aluminum profile thickness: 1.4mm
5mm tempered glass
CRESCENT LOCK
With fly screen

铝合金平开门
Aluminium Casement Door



100mm CASEMENT DOOR

100系列平开门

产品配置

单铝型材
型材厚度:2.0MM
玻璃:5+6A+5 钢化清玻

Specification

Aluminium profile thickness 2.0mm
glass 5+6A+5 tempered clear glass



产品代码
ITEM NO.
70ALSD

产品配置

单铝型材
型材厚度:2.0MM
表面处理:白色喷涂
玻璃:5mm钢化镀膜玻璃
配件:平面勾锁,单滑轮
带纱窗

Specification

Alu thickness: 2.0MM
Surface Finsh: White Powder Coat
Glass: 5mm Green reflective Glass
Hardware: China Brand
With aluminium cladding,easier installation.



产品配置

单铝型材
型材厚度:1.2MM
系列:38mm
表面处理:白色喷涂
玻璃:5mm 钢化清玻
配件:七字执手

Specification

Single Aluminum
Frame width: 38mm
Profile Thickness: 1.2mm
Color: white powder coating
Black and grey can be the options
Glass: 5mm Temper Clear Glass
Hardware: Handle of "7" shape



产品配置

单铝型材
 型材厚度:1.4MM
 系列: 50mm
 玻璃: 6mm 钢化清玻
 方形玻璃压线
 配件: 黑色把手+摩擦铰链

Product Specification

Single Aluminum
 Profile Thickness: 1.4mm
 Color: white powder coating
 Glass: 6mm Temper Clear Glass
 Square glass bead
 Hardware: Black handle+Friction stay

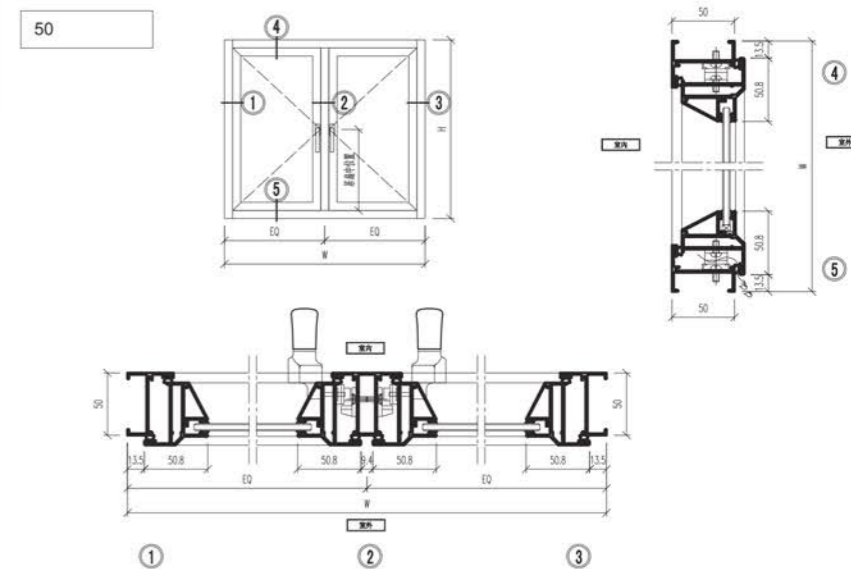


产品配置

单铝型材
 型材厚度:1.4MM
 系列: 50mm
 三角形玻璃压线
 玻璃: 6mm 钢化清玻
 配件: 黑色把手+摩擦铰链

Specification

Single Aluminum
 Profile Thickness: 1.4mm
 Color: Wood Grain Color
 Glass: 6mm Temper Clear Glass
 Triangle glass bead
 Hardware: Black handle+Friction stay





产品配置

单铝型材
型材厚度:1.4MM
系列: 50mm
玻璃: 6+9A+6mm钢化清玻
配件: 黑色把手+手摇式铰链

Product Specification

Casement window-Outward Opening
Single Aluminum
Profile Thickness: 1.4mm
Color: Wood Grain Color
Glass: 6+9A+6mm Tempered Clear
Hardware: Black handle+Chain winder operator



产品配置

单铝型材
型材厚度:1.4MM
系列: 55mm
弧形玻璃压线
玻璃: 5+6A+5mm 钢化清玻
配件: 黑色把手+摩擦铰链

Product Specification

Single Aluminum
Profile Thickness: 1.4mm
Color: Grey Powder Coating
Glass: 5+6A+5mm Tempered Clear
Curved glass bead
Hardware: Black handle+Friction stay



产品配置

单铝型材
型材厚度:1.4MM
系列:50mm
方形玻璃压线
玻璃:6mm 钢化清玻
配件:黑色把手+摩擦铰链

Product Specification

Single Aluminum
Profile Thickness: 1.4mm
Color: Wood Grain Color
Glass: 6mm Temper Clear Glass
Square glass bead
Hardware: Black handle+Friction stay



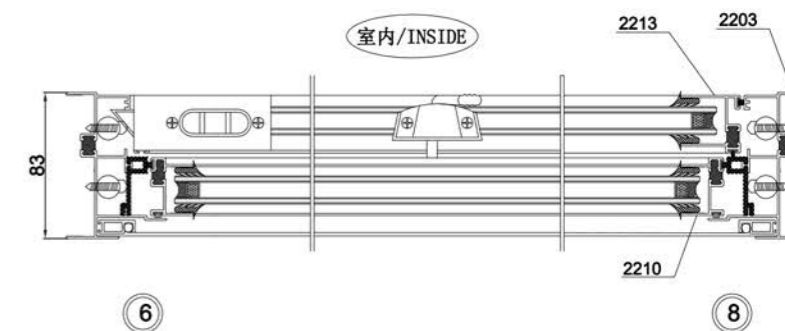
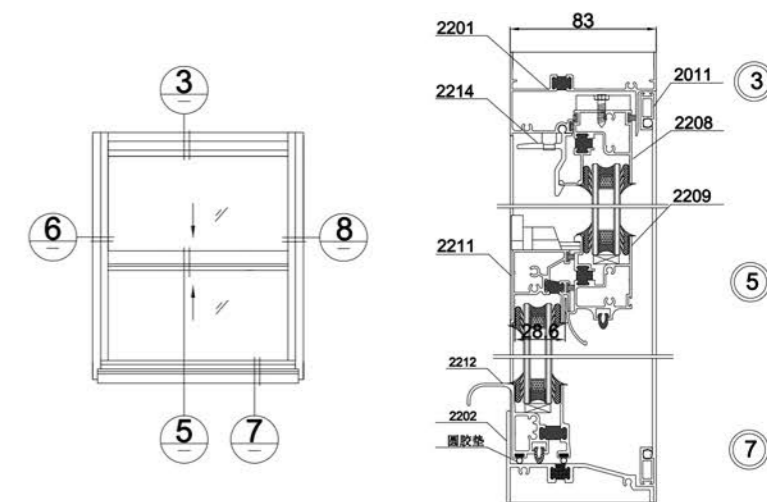
产品代码
ITEM NO.
85ALSD

产品规格

隔热断桥型材
型材厚度:2.0MM
表面处理:白色或灰色喷涂
玻璃:5+6A+5mm 钢化清玻

Product Specification

Thermal break aluminum
White or grey powder coating
Aluminum profile thickness: 2.0mm
5+6A+5 tempered clear glass





产品配置

单铝型材
型材厚度:1.4MM
系列:50mm
弧形玻璃压线
玻璃:6mm 钢化清玻
配件:黑色把手+摩擦铰链

Product Specification

Single Aluminum
Profile Thickness: 1.4mm
Color: Brown Powder Coating
Glass: 6mm Tempered Clear
Curved glass bead
Hardware: Black handle+Friction stay

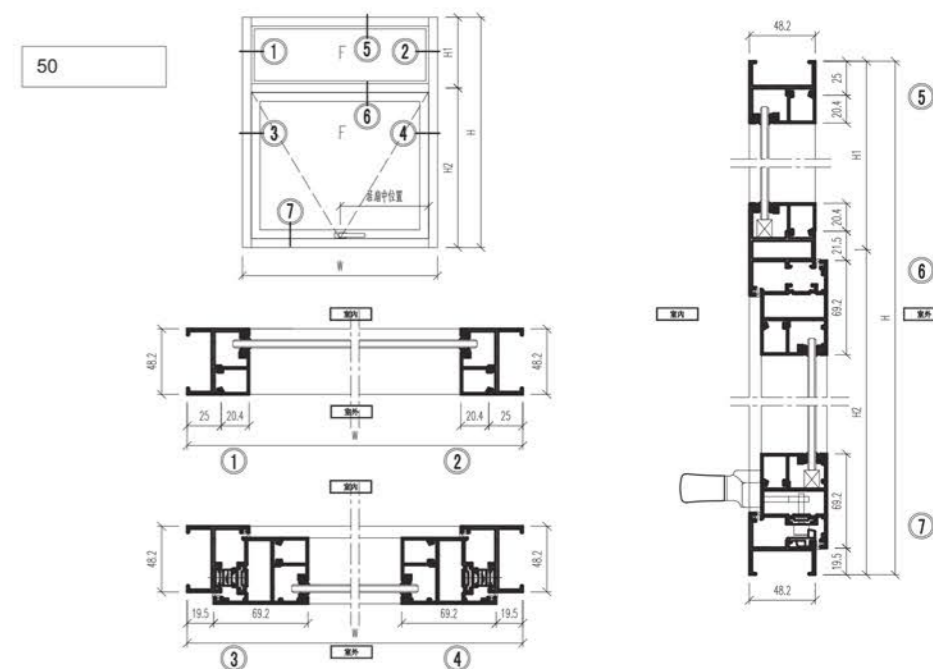


产品配置

单铝型材
系列:50mm
型材厚度:1.4MM
玻璃:6mm 钢化清玻
弧形玻璃压线
配件:黑色把手+摩擦铰链

Product Specification

Single Aluminum
Profile Thickness: 1.4mm
Color: Brown Powder Coating
Glass: 6mm Tempered Clear
Curved glass bead
Hardware: Black handle+Friction stay





产品配置

单铝型材
系列100mm
型材厚度:1.4MM
玻璃:5+6A+5钢化清玻
可拆卸式纱窗

Product Specification

Chain-winder mechanism
Sub-sill and Sub-head contribute easier installation.
With lock and key
Glass:5+6A+5 Tempered Clear
With build-in fly screen
The fly screen can be removable



产品配置

单铝型材
系列100mm
型材厚度:1.4MM
玻璃:5+6A+5钢化清玻
可拆卸式纱窗

Product Specification

Chain-winder mechanism
Sub-sill and Sub-head contribute easier installation.
With lock and key
Glass:5+6A+5 Tempered Clear
With build-in fly screen
The fly screen can be removable



70 MM Bi-Folding Door

70系列折叠门

产品代码
ITEM NO.
FD001

产品配置

单铝型材
高质坚朗配件或德国GU/Roto配件
标准多点锁系统
单玻双玻可选
外侧轨道系统保证尘沙的易于清洁
轻度推拉系统易于操作
顶级滑轮配件保证顺畅，无故障操作

Specification

single aluminium profile
height of door 2100-2300mm
width of door 2400-3600mm
High quality kinlong hardware or Germany GU/Roto designed
mult-points locking as standard
single or double glass available
Out board track system for easy cleaning of sand and grit
Low force sliding system for easy operation
Top-rolling hardware for smooth, trouble free operation



产品代码
ITEM NO.
210ALCW

产品规格

单铝型材
表面处理：白色或灰色喷涂
型材厚度:1.4mm
玻璃：5+6A+5mm钢化玻璃
带卷帘设计

Specification

Single aluminum
White or grey powder coating
Aluminum profile thickness: 1.4mm
5+6A+5mm tempered glass
With shutter design



产品代码
ITEM NO.
185ALCW

产品规格

单铝型材
表面处理：白色或灰色喷涂
型材厚度:1.4mm
玻璃：6+9A+6mm钢化玻璃
带卷帘设计

Specification

Single aluminum
White or grey powder coating
Aluminum profile thickness: 1.4mm
6+9A+6mm tempered glass
With shutter design

Sliding Window with Electronic or Manual Shutter
The Electronic and manual shutter are both available
The shutter is not only a type of shade, but also insulates heat and increases the burglar-resisting, the built-in flyscreen is available.

Alu profile thickness:1.4mm
Shade plate:38mm



More green more private space
Operation type: electric control remote control
For your: villas, apartment residents buildings,
office buildings, hospital etc.

电动中空百叶固定窗/隔断
玻璃6+27A+6mm
Automatic build-in shutter
Fixed window design
Can be use as the glass partition

185mm Shutter Casement Window-inward opening 185系列卷帘平开窗

产品代码
ITEM NO.
185ALCW

产品规格

单铝型材
表面处理：白色或灰色喷涂
型材厚度:1.4mm
玻璃：6+27A+6mm钢化玻璃
带卷帘设计

Specification

Single aluminum
White or grey powder coating
Aluminum profile thickness: 1.4mm
6+27A+6mm tempered glass
With shutter design



铝合金百叶 Aluminium Louver
铝合金格栅 Aluminium Grille
玻璃百叶 Glass Louver





产品规格

铝合金喷涂可根据工程需求定制
叶片间距可根据设计需求定制
叶片厚度1.0mm
框体厚度1.4MM

Specification

Aluminium powder coating customized on request
Blade space can be customized
Aluminium profile thickness:
Blade thickness: 1.0mm
Aluminium frame:1.4 mm

产品规格

铝合金喷涂可根据工程需求定制
叶片间距可根据设计需求定制
玻璃叶片厚度4mm磨砂玻璃
框体厚度2.0MM

Specification

Aluminium powder coating customized on request
Glass blade space can be customized
Glass blade thickness 4mm frosted glass
Aluminium frame profile thickness 2.0mm



Aluminum Glass Louver (Movable Glass blade) 铝合金玻璃百叶 (活动式玻璃叶片)

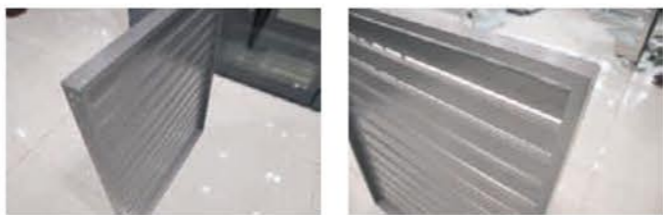


产品规格

铝合金喷涂可根据工程需求定制
叶片间距可根据设计需求定制
玻璃叶片厚度4mm钢化清玻
框体厚度1.4MM

Specification

Aluminum powder coating customized on request
Glass blade space can be customized
Glass blade thickness 4mm tempered clear glass
Aluminum frame profile thickness 1.4mm

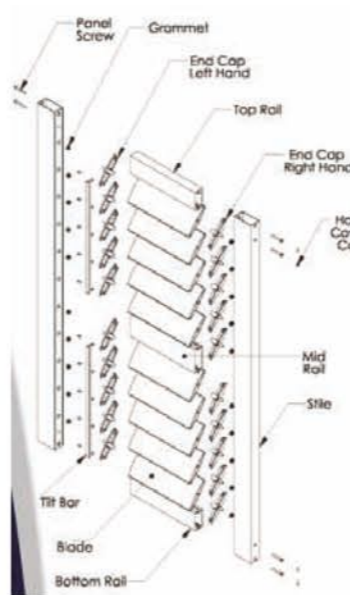


产品规格

铝合金方通
铝通间距可根据设计需求定制
铝通厚度1.2MM/1.0mm
框体厚度1.4MM

Specification

Fixed grid square tube
Grid space can be customized
Aluminium profile thickness:
Grid square tube 1.2mm or 1.0mm
Aluminium frame:1.4 mm



产品规格

铝合金喷涂可根据工程需求定制
叶片间距可根据设计需求定制
梭形叶片厚度1.2mm
框体厚度1.4MM

Specification

Aluminum powder coating customized on request
Aluminium blade space can be customized
Aluminium blade thickness 1.2mm
Aluminum frame profile thickness 1.4mm